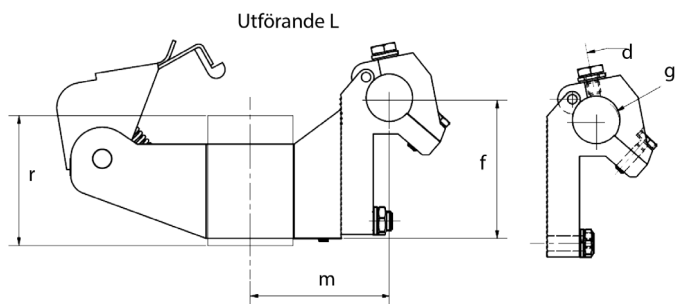
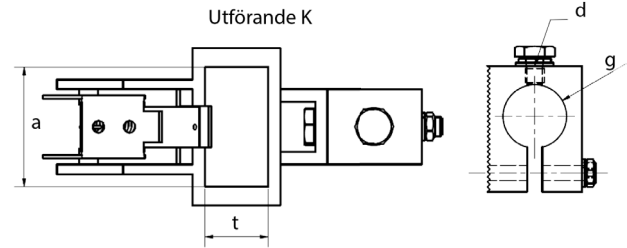


SINGLE BRUSH HOLDERS TYPE GH WITH CLAMPS. CAST BRASS

Holders made of homogeneous cast brass. Designed for at least 15 A/cm² and compliant with all electro-graphite grades. Clamp alternatives for various motor types embrace a very broad application spectrum. Standard items are delivered with clamp assembly as shown in execution K.

NOTE. Clamp assembly as shown in execution L must be ordered separately.

Product information for which Carbex bears no responsibility is provided by the manufacturer.



| ITEM NUMBER | t x a | g | m | f | d | r |
|-------------|------------|-------|-----------|-------|-------|----|
| 13 060 0001 | 5 x 10 | 10 | 20,5 | 13 | M5 | 20 |
| 13 060 0002 | 6,3 x 10 | 10 | 21,2 | 13 | M5 | 20 |
| 13 060 0003 | 8,0 x 10 | 10 | 22 | 13 | M5 | 20 |
| 13 060 0004 | 6,3 x 12,5 | 10 | 21,2 | 13 | M5 | 25 |
| 13 060 0005 | 8,0 x 12,5 | 10 | 22 | 13 | M5 | 25 |
| 13 060 0006 | 10 x 12,5 | 10 | 23 | 13 | M5 | 25 |
| 13 060 0007 | 8,0 x 16 | 10-13 | 22-27 | 13-30 | M5/M6 | 32 |
| 13 060 0008 | 10 x 16 | 10-13 | 23-28 | 13-30 | M5/M6 | 32 |
| 13 060 0009 | 12,5 x 16 | 10-13 | 24,3-29,3 | 13-30 | M5/M6 | 32 |
| 13 060 0010 | 8,0 x 20 | 10-16 | 26 | 18-25 | M5/M6 | 32 |
| 13 060 0011 | 10 x 20 | 10-16 | 27 | 18-25 | M5/M6 | 32 |
| 13 060 0012 | 12,5 x 20 | 10-16 | 28,3 | 18-35 | M5/M6 | 32 |
| 13 060 0013 | 16 x 20 | 10-16 | 30 | 18-30 | M5/M6 | 32 |
| 13 060 0014 | 8,0 x 20 | 13-16 | 26 | 18 | M5 | 32 |
| 13 060 0015 | 10 x 20 | 13-16 | 27 | 18 | M5 | 32 |
| 13 060 0016 | 12,5 x 20 | 13-16 | 28,3 | 18 | M5 | 32 |
| 13 060 0018 | 16 x 32 | 13-20 | 33-37 | 18-50 | M6 | 40 |
| 13 060 0019 | 20 x 32 | 20 | 35-39 | 24-50 | M6 | 40 |
| 13 060 0020 | 25 x 32 | 20-25 | 35 | 60 | M6 | 50 |



PRODUCT AND DATA SHEETS FOR DOWNLOAD

BEYOND THE BOUNDARIES OF BRUSH TECHNOLOGY