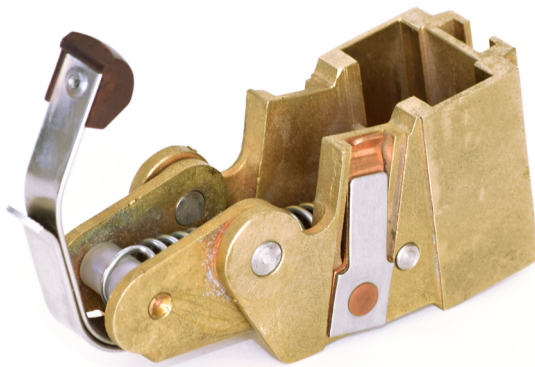
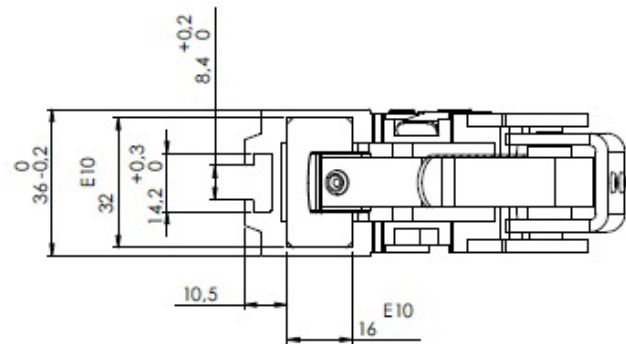
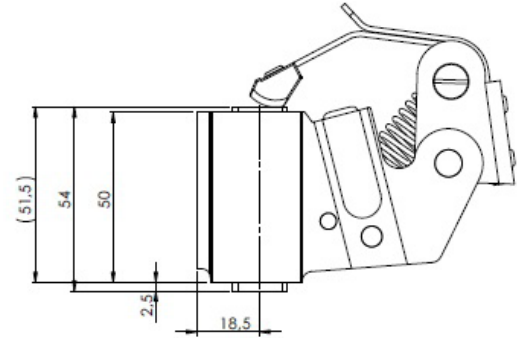


## POCKET BRUSH HOLDER TRACTION SINGLE 16 X 32

Pocket brush holder for traction motors with brush dimensions 16 x 32 x max 54 mm. Very stable assembly made of homogeneous cast brass. Standard connection for cable shoe and cushion on holder arm for alignment with top of brush. Keyway for vertical locking. Grooved alignment surfaces for safe attachment.

*Product information for which Carbex bears no responsibility is provided by the manufacturer.*



| ITEM NUMBER | PRODUCT TYPE                        | BRUSH DIM. (mm) |    |        |
|-------------|-------------------------------------|-----------------|----|--------|
|             |                                     | f               | a  | r      |
| 130611632   | Carbon pocket 4395571-6DA133 8-1632 | 16              | 32 | MAX 54 |



PRODUCT AND DATA SHEETS FOR DOWNLOAD

BEYOND THE BOUNDARIES OF BRUSH TECHNOLOGY

**CARBEX AB**  
BOX 115, SE-592 22  
VADSTENA, SWEDEN

**PHONE**  
+46 (0)143-294 40

**MAIL**  
info@carbex.se

**WEB**  
carbonbrushsolution.com