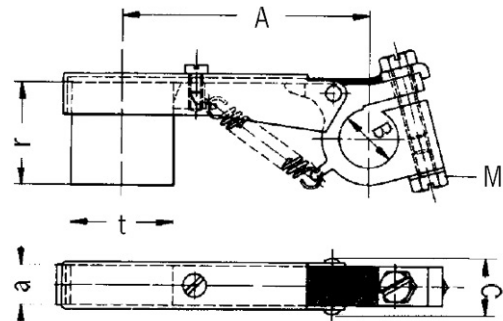


SINGLE LEG BRUSH HOLDERS TYPE DE FOR SLIP RINGS

Robust, reliable construction with very stable clamp assembly in drawn brass. Strong stainless steel springs guarantee constant brush contact. Shackles made of brass sheet with flexible, built-in copper connectors for safe power transmission with minimized losses. Designed for loads of at least 25 A/cm² and compliant with all copper grades.

Product information for which Carbex bears no responsibility is provided by the manufacturer.



PRODUCT AND DATA
SHEETS FOR DOWNLOAD

BEYOND THE BOUNDARIES OF BRUSH TECHNOLOGY

CARBEX AB
BOX 115, SE-592 22
VADSTENA, SWEDEN

PHONE
+46 (0)143-294 40

MAIL
info@carbex.se

WEB
carbonbrushsolution.com

ITEM NUMBER	PRODUCTION TYPE		BRUSH DIMENSIONS			ARM LENGTH	BORE DIAMETER		WIDTH	CONNECTION SCREW
			t	a	r		STANDARD	MAX		
						A	B	t _o	C	M
13 010 8410	84 DE30	B 10	8	4	15	30	10	-	8	M4
13 010 8420	84 DE43	B 10	8	4	15	43	10	-	8	M4
13 010 8510	85 DE27	B 7-9	8	5	15	27	7	9	9	M3
13 010 8520	85 DE32	B 10	8	5	15	32	10	-	9	M4
13 010 8530	85 DE43	B 10	8	5	15	43	10	-	9	M4
13 010 1010	105 DE37	B 10	10	5	16	37	10	-	9	M4
13 010 1020	1064 DE37	B 10	10	6,4	16	37	10	-	11	M4
13 010 1210	12564 DE40	B 10	12,5	6,4	20	40	10	-	11	M4
13 010 1220	1258 DE47	B 10-13	12,5	8	20	47	10	13	12	M5
13 010 1610	168 DE46	B 10-13	16	8	20	46	10	13	12	M5
13 010 1620	168 DE50	B 10-13	16	8	20	50	10	13	12	M5
13 010 1630	168 DE62	B 13-16	16	8	25	62	13	16	12	M5
13 010 1640	1610 DE50	B 10-16	16	10	25	50	10	16	14	M5
13 010 1650	1610 DE62	B 13-16	16	10	25	62	13	16	14	M5
13 010 2010	208 DE44	B 10-13	20	8	25	44	10	13	12	M5
13 010 2020	208 DE50	B 13-16	20	8	25	50	13	16	12	M5
13 010 2030	208 DE60	B 13-16	20	8	25	60	13	16	12	M5
13 010 2040	2010 DE50	B 10-13	20	10	25	50	10	13	14	M5
13 010 2050	2010 DE56	B 13-16	20	10	25	56	13	16	14	M5
13 010 2060	2010 DE60	B 13-16	20	10	25	60	13	16	14	M5
13 010 2070	2010 DE70	B 16-20	20	10	30	70	16	20	14	M5
13 010 2510	258 DE60	B 13-16	25	8	25	60	13	16	12	M5
13 010 2520	2510 DE60	B 13-16	25	10	25	60	13	16	14	M6
13 010 2540	25125 DE60	B 13-16	25	12,5	25	60	13	16	17	M6
13 010 2550	25125 DE70	B 16-20	25	12,5	30	70	16	20	17	M6
13 010 2570	25125 DE90	B 16-20	25	12,5	30	90	16	20	17	M6
13 010 2580	2516 DE85	B 16-20	25	16	30	85	16	20	22	M8
13 010 3210	3210 DE67	B 13-16	32	10	32	67	13	16	15	M6
13 010 3220	3210 DE80	B 16-20	32	10	32	80	16	20	15	M6
13 010 3230	32125 DE70	B 16-20	32	12,5	32	70	16	20	17	M6
13 010 3240	32125 DE80	B 16-20	32	12,5	32	80	16	20	17	M6
13 010 3250	32125 DE90	B 16-20	32	12,5	32	90	16	20	17	M6
13 010 3260	32125 DE100	B 16-20	32	12,5	32	100	16	20	17	M6
13 010 3270	3216 DE85	B 16-20	32	16	32	85	16	20	22	M8
13 010 3280	3216 DE100	B 16-20	32	16	32	100	16	20	22	M8
13 010 4010	40125 DE95	B 16-20	40	12,5	40	95	16	20	17	M8
13 010 4020	4020 DE100	B 16-20	40	20	40	100	16	20	26	M10
13 010 4030	4020 DE125	B 25	40	20	40	125	25	-	26	M10
13 010 4040	4020 DE140	B 25	40	20	40	140	25	-	26	M10

BEYOND THE BOUNDARIES OF BRUSH TECHNOLOGY

CARBEX AB
BOX 115, SE-592 22
VADSTENA, SWEDEN

PHONE
+46 (0)143-294 40

MAIL
info@carbex.se

WEB
carbonbrushsolution.com