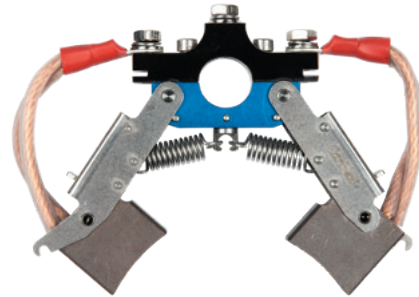


OPTIMUS DDG

The DDG version of the Carbex in-house developed Optimus brush holder is suitable for a variety of slip ring applications. This holder has many functions that are missing from traditional and more commonplace systems on the market.

- The brush holder is inclined with self-aligning brushes which ensure perfect contact with the slip ring surface. This ensures extended service life of the carbon brushes.
- The brush holder arms feature "hooks" for easier unfolding with its hoisting rings. Practical for confined and restricted spaces.
- The brush holder's arms can be easily locked in retracted position which facilitates brush replacement or other types of maintenance.
- Carbon brushes can be assembled or disassembled quickly and easily from the brush holder with a spring pressure bolt.
- Well suited for installations in confined or restricted spaces.
- The Optimus DDG can be assembled and disassembled in an easy and straightforward manner as it does not need to be pushed or threaded onto the insulated brush holder bolt. The brush holder's design allows the main block to be split into two parts and thereafter realigned and tightened during reassembly.
- If required, the brush holder can be equipped with a sensor that emits a signal when the carbon brushes have been worn down to a predetermined level.
- Suitable for all type of slip rings, including those with larger diameters.
- Carbex researches – develops and tests – and verifies brush holder materials and designs to ensure that we as a company are at the cutting edge as an innovative partner within power and signal technology.



PRODUCT AND
DATA SHEETS
FOR DOWNLOAD

* Bushings for different brush holder bolt diameters. available upon request.

BEYOND THE BOUNDARIES OF BRUSH TECHNOLOGY

CARBEX AB
BOX 115, SE-592 22
VADSTENA, SWEDEN

PHONE
+46 (0)143-294 40

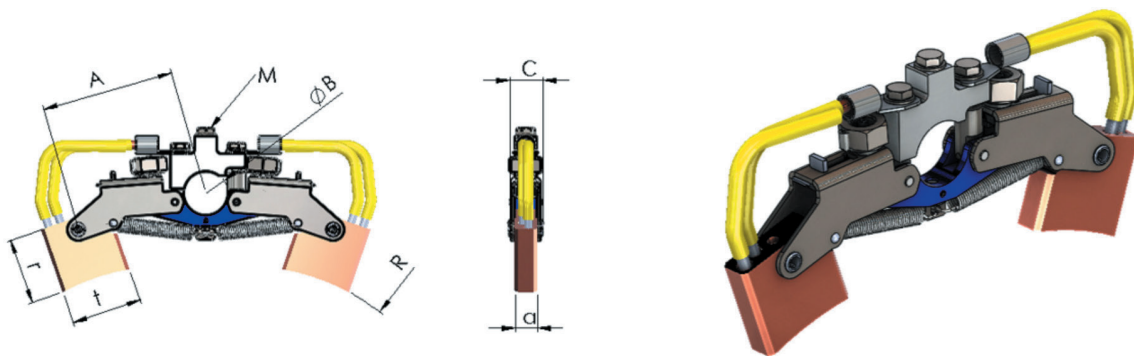
MAIL
info@carbex.se

WEB
carbonbrushsolution.com

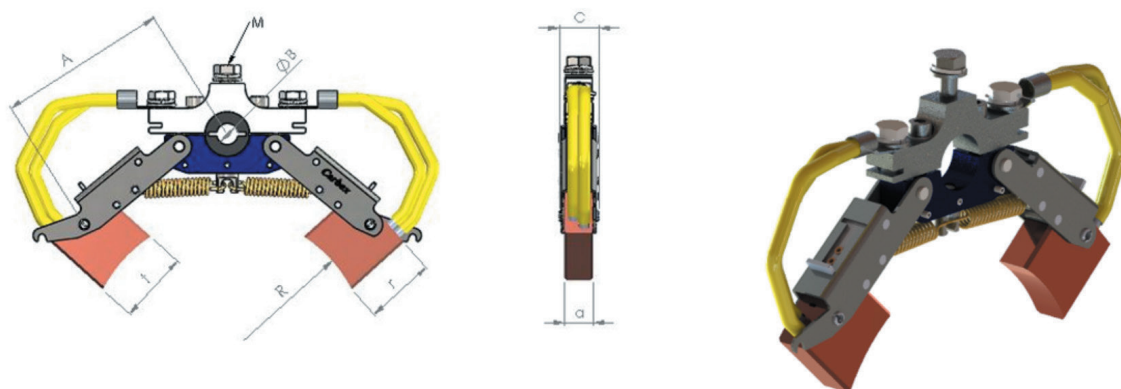
Striving to improve and develop is in our DNA. We continually invest in R&D to ensure we can meet current and future market needs. This ensures that we as a company are at the forefront of all stages of all processes and developments.

ART NO	TYPE	BRUSH DIMENSION			ARM LENGTH	MOUNTING HOLE	WIDTH	POWER CONNECTION	MAX CURRENT
		t	a	r	A	B (STANDARD)*	C (mm)	M	A
OPT-226425	A	22	6,4	25	50	20	13	M5	85 A
OPT-250825	A	25	8	25	60	20	13	M5	120 A
OPT-321030	A	32	10	30	60	20	15	M6	190 A
OPT-321630	A	32	16	30	65	20	22	M8	310 A
OPT-401640	B	40	16	40	100	25	22	M8	385 A

TYPE A



TYPE B



BEYOND THE BOUNDARIES OF BRUSH TECHNOLOGY